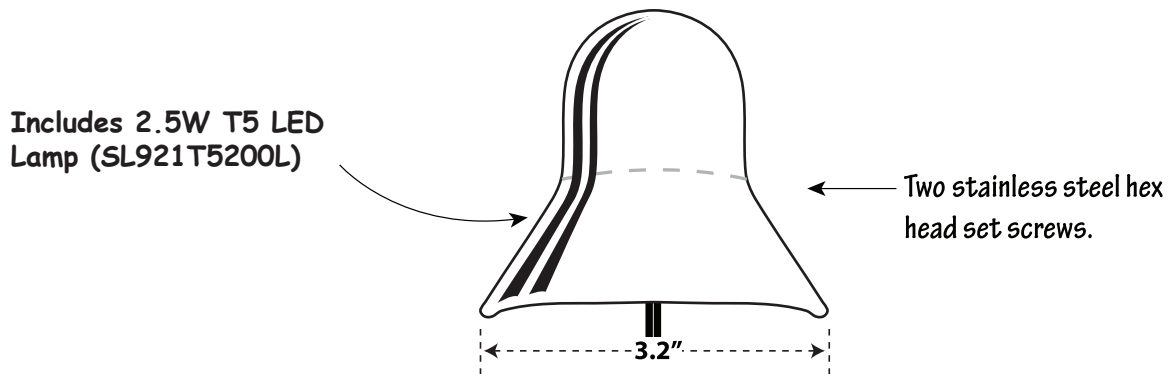
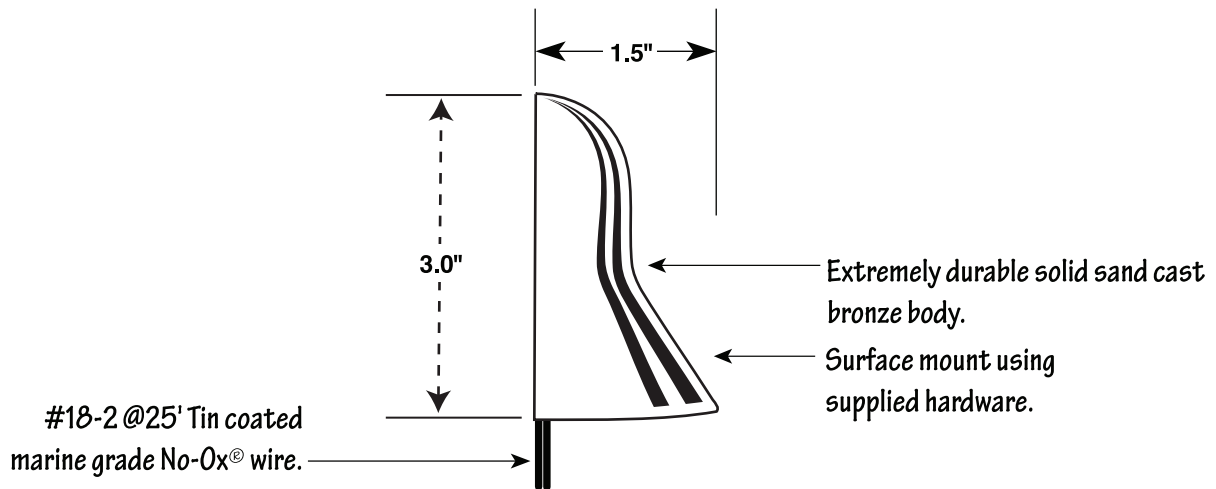


Project: \_\_\_\_\_ Date: \_\_\_\_\_  
 Fixture Type: \_\_\_\_\_ Quantity: \_\_\_\_\_  
 Specifier: \_\_\_\_\_

Drawing not to scale

Must operate lamp between 9 to 20 volts. Check voltage with digital multi-meter.



Notes

- Includes 2.5W T5 LED Lamp (SL921T5200L)
- Typical spacing 6' to 10'
- Downward orientation only

- Refer to product installation sheet prior to installation

Plan Symbol:

